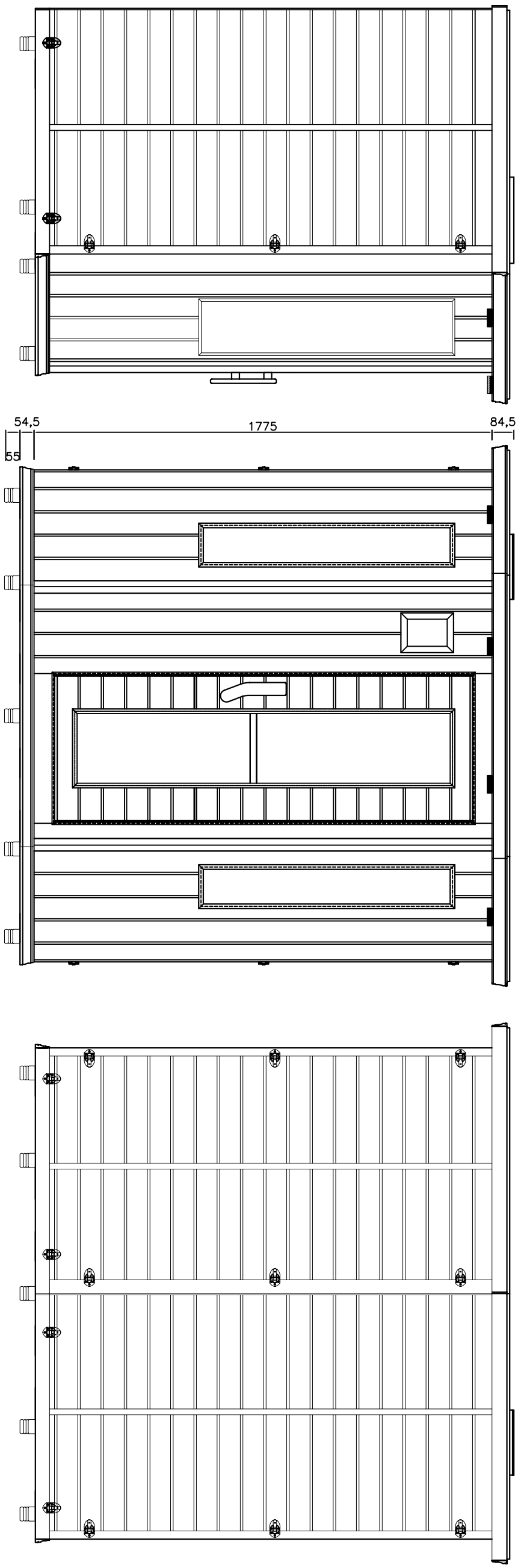
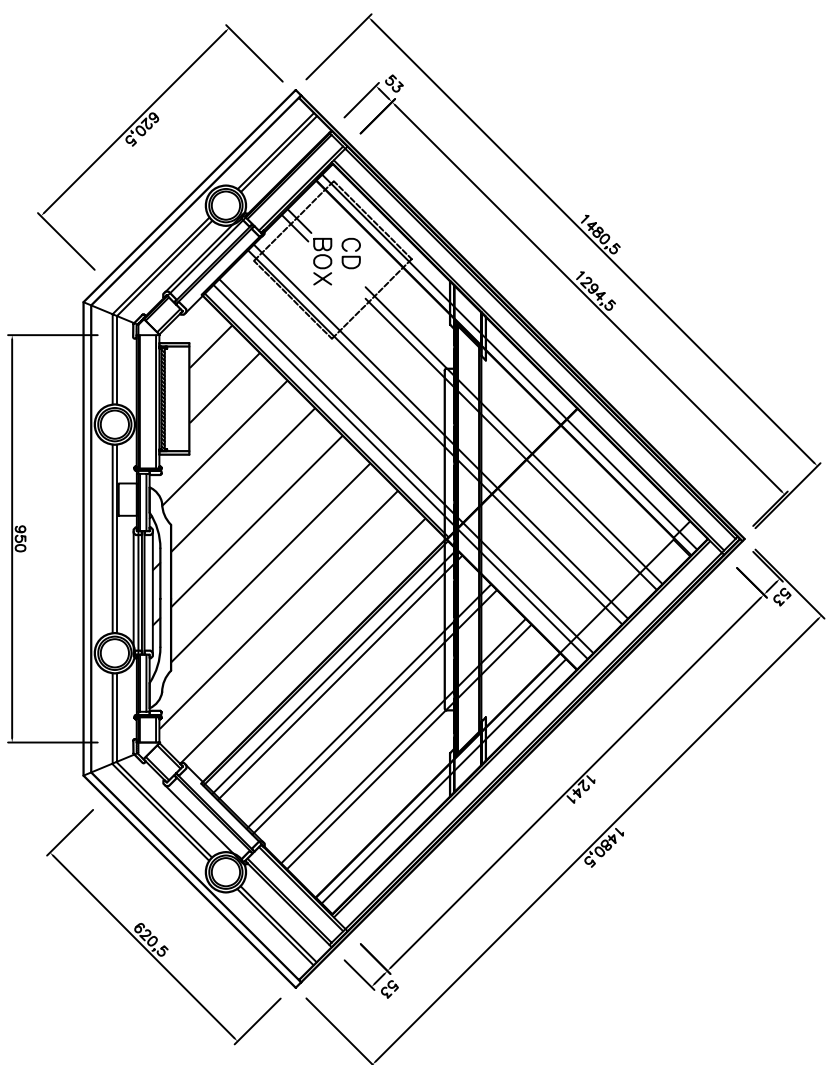


NO.	SPECIFICATION	QTY
1	LAMP	1
1	FRONT HEATER(120V/350W)	1
2	LEFTBACK HEATER(120V/350W)	2
2	RIGHTBACK HEATER(120V/350W)	2
1	BENCH HEATER(M-TYPE 350W)	1
1	DIGITAL CONTROLLER(DOUBLE SIDE)	1
1	JOINT BOX	1
1	POWER SUPPLY	1
1	VEN	1
1	CORNER BENCH	1
1	LEFT BENCH	1
1	RIGHT BENCH	1
2	WEB BACK	2



UNLESS OTHERWISE SPECIFIED, DIMENSIONS ARE IN MILLIMETERS AND TOLERANCES ARE AS FOLLOWS:

0 - 15	±0.3
16 - 50	±0.5
51 - 100	±0.8
101 - 300	±1.0
300 - ∞	±1.5

ANGULAR TOLERANCE: ±0.5°

**PROJECT**  
HM-CSE-3-CD

**SHEET TITLE**  
ASSEMBLY DWG  
OUTSIDE

SCALE	NO SCALE	DATE	2006.11.17
PROJ NO		SHT NO	176-1301A
DRAWN			
DESIGNED	CAI		
CHECKED			
APPR.D			

**Confidential 机密**  
Internal Use Only 只能在内部用