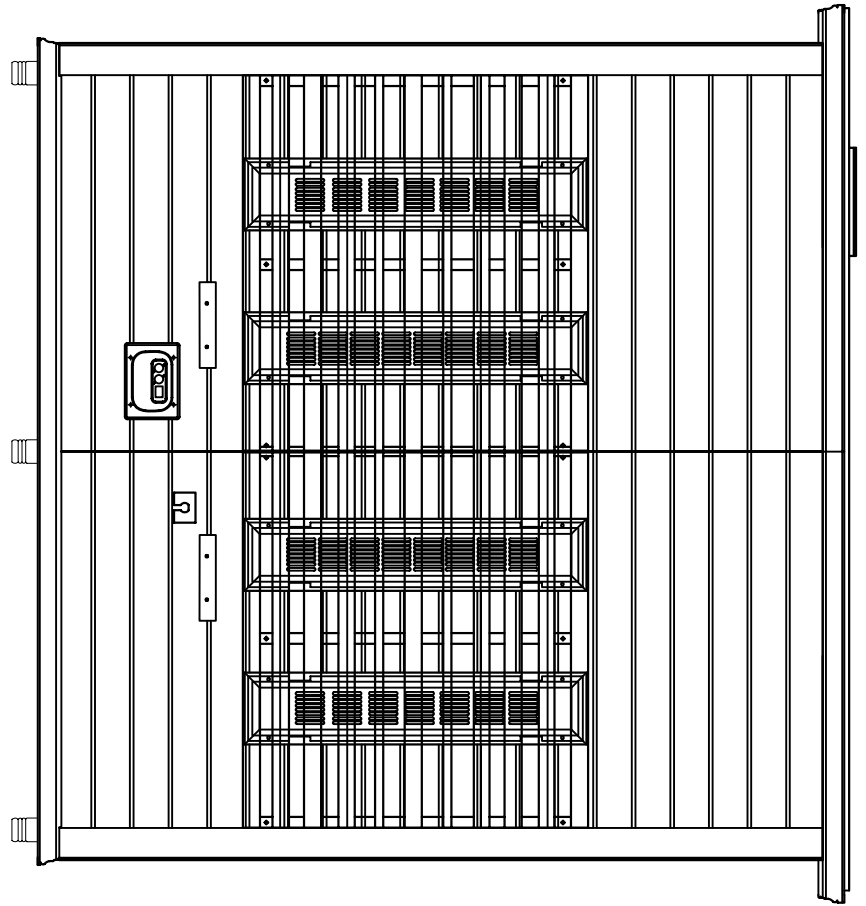
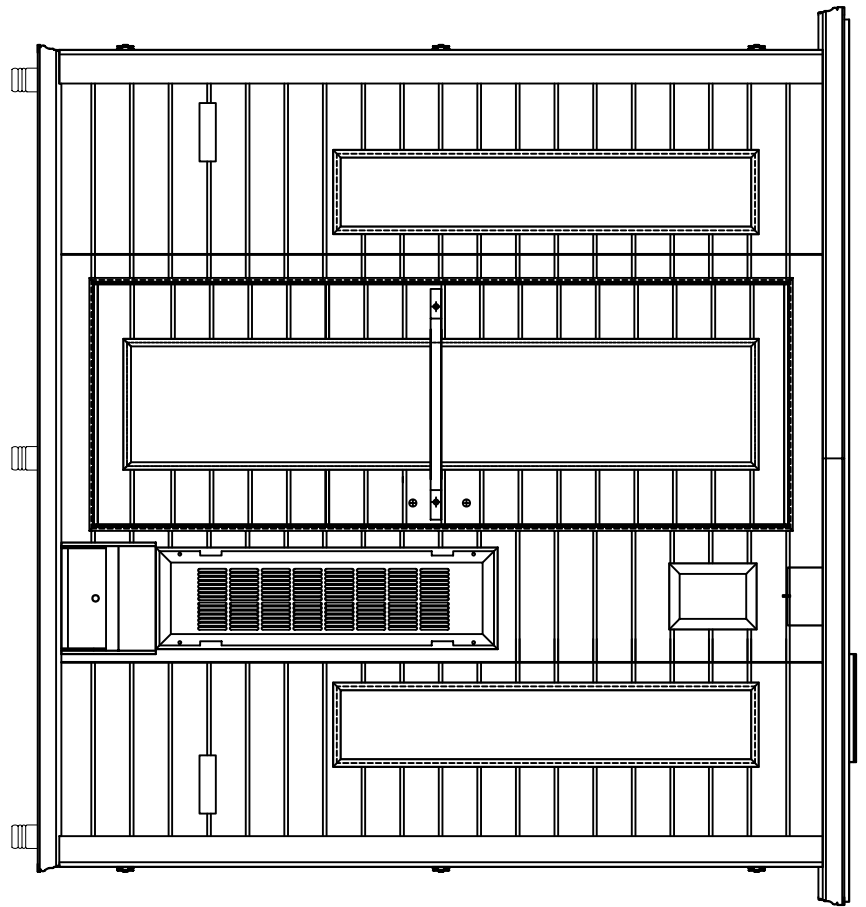
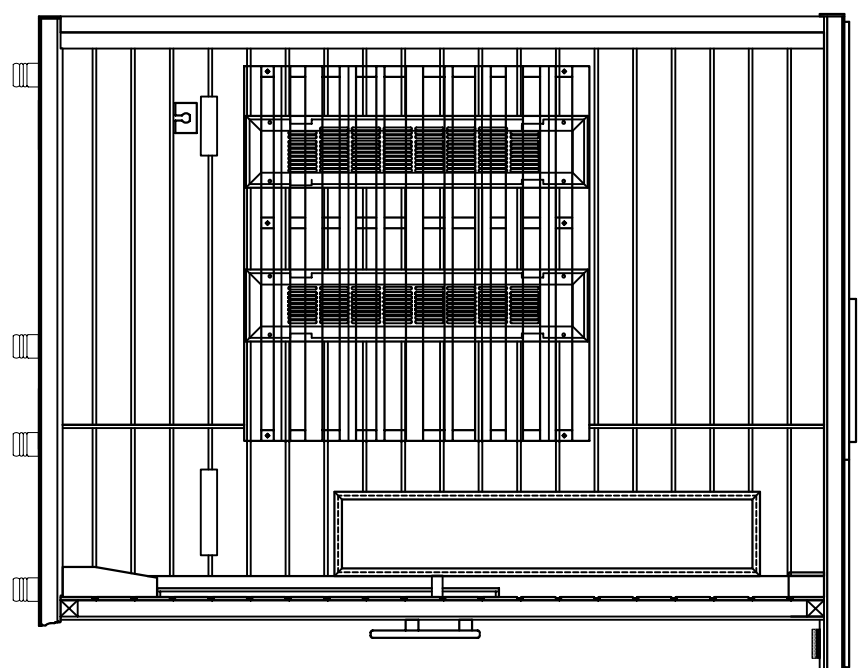
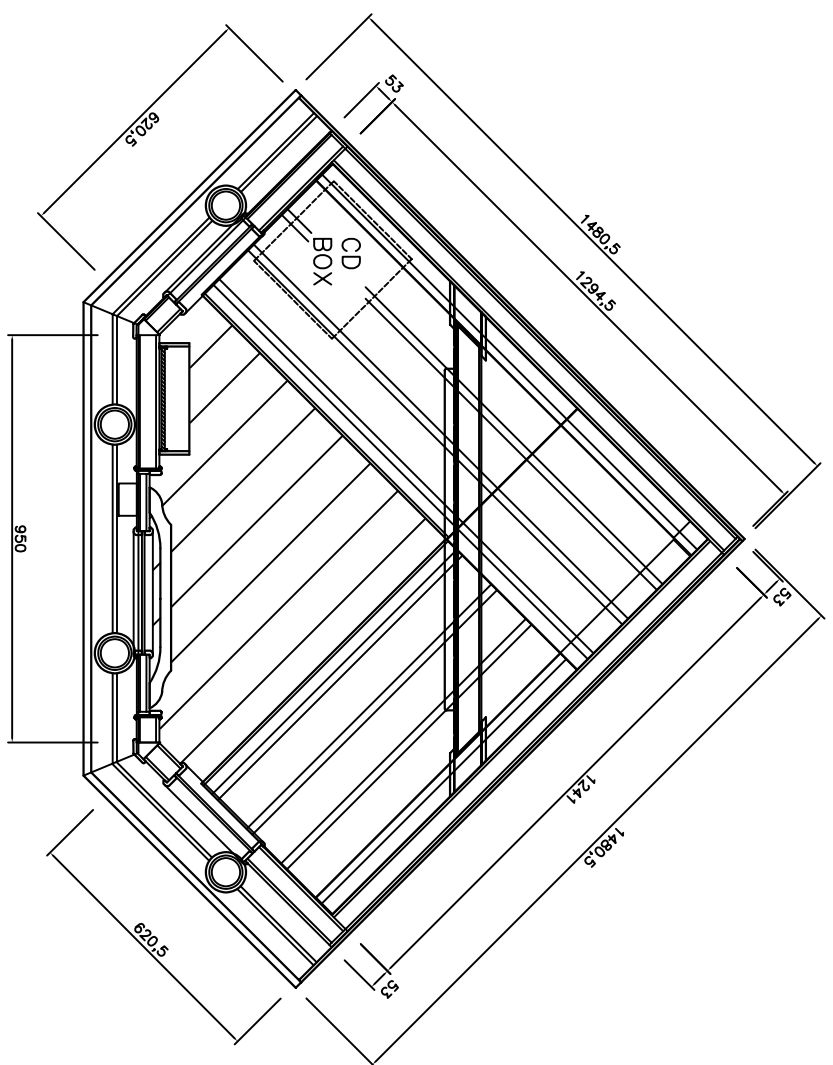


Inside Volume	W	D	H	Volume(m ³)
1749.70 mm	1299.10mm	1775mm	2.33m ³	
Bench Volume	1237 mm	432mm	425mm	0.23m ³
Bench Volume	807 mm	432mm	425mm	0.15m ³
Effective Volume				1.95m ³
Glass Area				Area(m ²)
Front	289mm	1465mm	0.42 m ²	
Side	259.5mm	976mm	0.25 m ²	
Side	259.5mm	976mm	0.25 m ²	
Total Area				0.92 m ²
Location		Wattage	Qty	Sum
Front	350W	1	350W	
Left Rear	350W	2	700W	
Right Rear	350W	2	700W	
Left side				
Right side				
Bench	350W	1	350W	
Total Wattage			6	2100W
Wattage/Effective volume(W/m ³)				1076.92 W/m ³



NOTES

- NO. SPECIFICATION Qty
- LAMP 1
 - FRONT HEATER(120V/350W) 1
 - LEFTBACK HEATER(120V/350W) 2
 - RIGHTBACK HEATER(120V/350W) 2
 - BENCH HEATER(M-TYPE 350W) 1
 - DIGITAL CONTROLLER(DOUBLE SIDE) 1
 - JOINT BOX 1
 - POWER SUPPLY 1
 - VEN 1
 - CORNER BENCH 1
 - LEFT BENCH 1
 - RIGHT BENCH 1
 - WEB BACK 2

UNLESS OTHERWISE SPECIFIED, DIMENSIONS ARE IN MILLIMETERS AND TOLERANCES ARE AS FOLLOWS:

0 - 15	±0.3
16 - 50	±0.5
51 - 100	±0.8
101 - 300	±1.0
300 - ∞	±1.5

ANGULAR TOLERANCE: ±0.5°

[CONFIDENTIALITY DISCLAIMER]
THIS DOCUMENT CONTAINS CONFIDENTIAL INFORMATION ON PACIFIC CEDAR SUPPLY(YANTAI)LTD. IN CONSIDERATION OF THE RECEIPT OF THIS DOCUMENT, THE RECIPIENT AGREES NOT TO REPRODUCE, COPY, USE OR TRANSMIT THIS DOCUMENT AND/OR THE INFORMATION THEREIN CONTAINED IN WHOLE OR IN PART OR TO SUFFER SUCH ACTIONS BY OTHERS. FOR ANY PURPOSE EXCEPT WITH THE WRITTEN PERMISSION FIRST OBTAINED FROM PACIFIC CEDAR SUPPLY(YANTAI)LTD. AND FURTHER AGREES TO SURRENDER SAME TO PACIFIC CEDAR SUPPLY(YANTAI)LTD. WHEN THE REASON FOR THE RECEIPT HAS TERMINATED.

PROJECT
HM-CSE-3-CD

SHEET TITLE
ASSEMBLY DWG
INSIDE

SCALE	DATE
NO SCALE	2006.11.17
PROJ NO	SHT NO
	176-1302A

DRAWN
DESIGNED
CAI
CHECKED
APPR.D

Confidential 机密
Internal Use Only 只能在内部用